

**GUJARAT TECHNOLOGICAL UNIVERSITY****BE - SEMESTER- 1<sup>st</sup> / 2<sup>nd</sup> EXAMINATION (New Syllabus) – WINTER 2014****Subject Code: 2110013****Date: 31-12-2014****Subject Name: Engineering Graphics****Time: 10:30 am - 01:30 pm****Total Marks: 70****Instructions:**

1. Question No. 1 is compulsory. Attempt any four out of remaining Six questions.
2. Make suitable assumptions wherever necessary.
3. Figures to the right indicate full marks.
4. Don't rub construction/ projection lines after completion of drawing.
5. All dimensions are in mm.
6. Figure in the question paper is not to the scale.
7. Take suitable scale whenever required and mention in clearly.

**Q.1 (a) Select the correct options for the following:-****07**

1. Name the solid formed by revolving right angle triangle with one of its perpendicular side fixed.  
(a) Cone (c) Cylinder  
(b) Tetrahedron (d) Octahedron
2. To draw the leader line, which type of the following line is used?  
(a) Continuous thick line (c) Long chain thin line  
(b) Continuous thin wavy line (d) Continuous thin line
3. If the object lies in the second quadrant, its position with respect to reference plane will be  
(a) In front of V.P. and above H.P. (c) In front of V.P. and below H.P.  
(b) Behind V.P. and below H.P. (d) Behind V.P. and above H.P.
4. When the drawing are drawn smaller than the actual size of object then scale is known as  
(a) Reduced Scale (c) Enlarged Scale  
(b) Full Scale (d) None of Above
5. A curved traced out by a point which moves uniformly both about the centre and at the same time away or towards the centre is known as  
(a) Involute (c) Archimedian spiral  
(b) Cycloid (d) None of above
6. The isometric view of a vertical line is represented at an angle of \_\_\_\_ in front view and having a length \_\_\_\_\_ the original length of line.  
(a) 30°, Same as (c) 30°, Less than  
(b) 90°, Same as (d) 90°, Less than
7. In a third angle projection method, right hand side view of an object is drawn \_\_\_\_\_ front view.  
(a) Left side of (c) Right side of  
(b) Rear side of (d) None of above

**(b) Select the correct options for following:-****07**

1. If the 10 m length is represented as 1 mm on the map then representative fraction is  
(a) 1/100 (c) 1/1000  
(b) 1/10 (d) None of above

2. Fourth angle projection is not used because
  - (a) Front view is above reference line and top view is below reference line
  - (b) Top view is above reference line and front view is below reference line
  - (c) Front view and top view both overlap on each other and below reference line
  - (d) Front view and top view both overlap on each other and above the reference line
3. When the cone, resting on base on V.P., is cut by section plane parallel to V.P. then the true shape is \_\_\_\_\_ and can be seen in \_\_\_\_\_ view.
  - (a) Circle, Front
  - (b) Ellipse, Top
  - (c) Ellipse, Front
  - (d) Circle, Top
4. The eccentricity of which of the following curve is greater than one?
  - (a) Ellipse
  - (b) Hyperbola
  - (c) Parabola
  - (d) None of above
5. The isometric projection of 90 mm line is \_\_\_\_\_ mm.
  - (a)  $30 \times (6)^{(1/2)}$
  - (b)  $30 \times (2)^{(1/2)}$
  - (c)  $30 \times (3)^{(1/2)}$
  - (d) None of above
6. For the third angle projection method, Which of the following is correct?
  - (a) Observer - Object - Plane
  - (b) Observer - Plane - Object
  - (c) (a) and (b) both
  - (d) None of above
7. When the front view of line having a length less than the original length then which of the following is correct?
  - (a) Line is inclined to H.P.
  - (b) Line is inclined to V.P.
  - (c) Line is inclined to both H.P. and V.P.
  - (d) (b) and (c) both

- Q.2** (a) The foci of an ellipse are 110 mm apart. The minor axis is 70 mm long. Determine the length of major axis and draw half ellipse by rectangle method and other half by concentric circle method. **07**
- (b) A line PQ, 65 mm long, is inclined to H.P. by  $30^\circ$  and inclined to V.P. by  $45^\circ$ . The end P is 20 mm below H.P. and 25 mm behind V.P. Point Q is in fourth quadrant. Draw its projections and find the position of the point Q. **07**
- Q.3** (a) The front view and top view of a line MN is inclined at an angle of  $30^\circ$  and  $40^\circ$  respectively. The front view of line MN measures 50 mm. Point M is 15 mm above H.P. and 10 mm in front of V.P. Draw the projections of line MN and find the true length of line MN. **07**
- (b) A square plate of side 40 mm is rest on one of its corner on H.P. with diagonal horizontal and inclined at  $50^\circ$  to V.P. The Plate is seen as a rhombus in plan with one of its diagonals measuring 30 mm. Draw the projections. **07**
- Q.4** (a) A regular pentagonal plate is resting in V.P. on one of its sides with surface making an angle  $45^\circ$  with V.P. The side on which it rests on V.P. makes  $60^\circ$  with H.P. Draw the projections of pentagonal plate having the side 30mm. **07**
- (b) A frustum of hexagonal pyramid, side of base 30 mm and height 60 mm, is cutting from a pyramid of height 80 mm, is standing upright with base on H.P. and axis parallel to V.P. It is cut by section plane making an angle of  $50^\circ$  to V.P. and remaining 20 mm away from the axis. Draw top view, sectional front

view, sectional left hand side view and true shape of section.

07

- Q.5** (a) Draw the projection of a cone, base 44 mm diameter and axis 50 mm long, when it is resting on the H.P. on a point of its base circle with the axis making an angle of  $45^\circ$  with H.P. and  $30^\circ$  with V.P. 07
- (b) A circle of 50 mm diameter rolls along a straight line without slipping. Trace the path of a point on the circumference of the rolling circle for one complete revolution. Name the curve. 07
- Q.6** (a) On a map of a state, 1 cm represents 5 kms. Construct a plain scale long enough to measure a distance between two city 100 kms far from each other. 03
- (b) Using the first angle projection method, draw the following view for the figure:-1. Give the dimensions using the Aligned dimensioning method.
- (i) Sectional front view by taking section along C-D 04
  - (ii) Sectional left hand side view by taking section along A-B 04
  - (iii) Top view 03

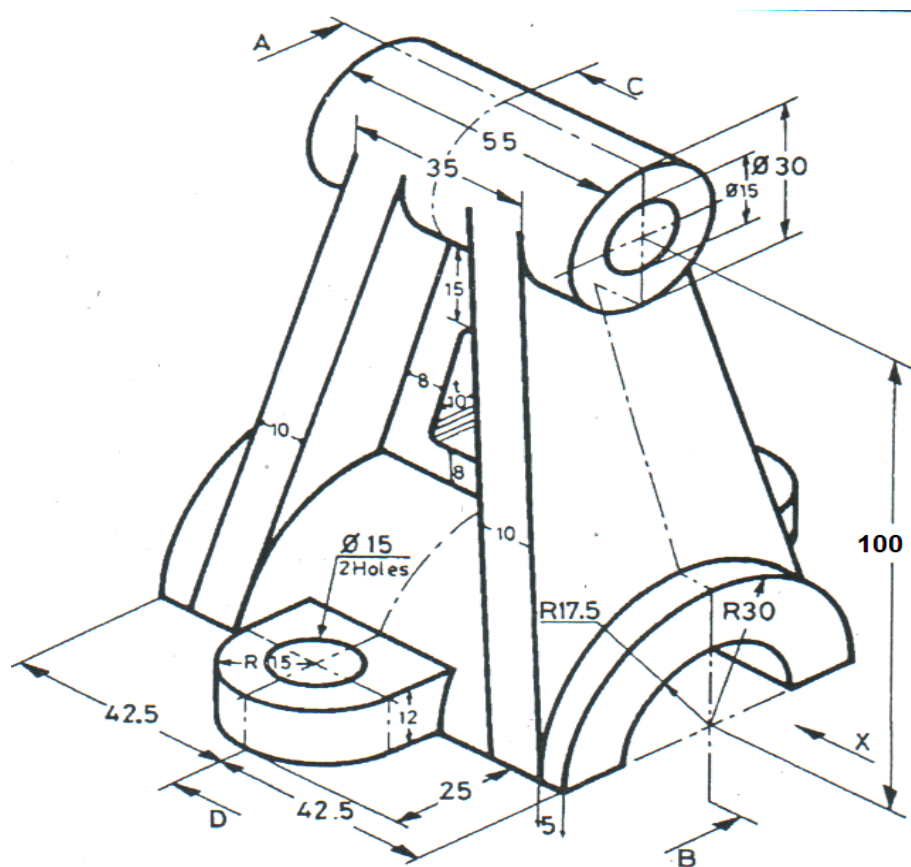


Figure :- 1

- Q.7** (a) Construct a diagonal scale of representative fraction =  $(1/36)$  showing yard, foot and inch. Scale should be long enough to measure 5 yard. 04
- (b) Draw the isometric view for the figure:-2 10

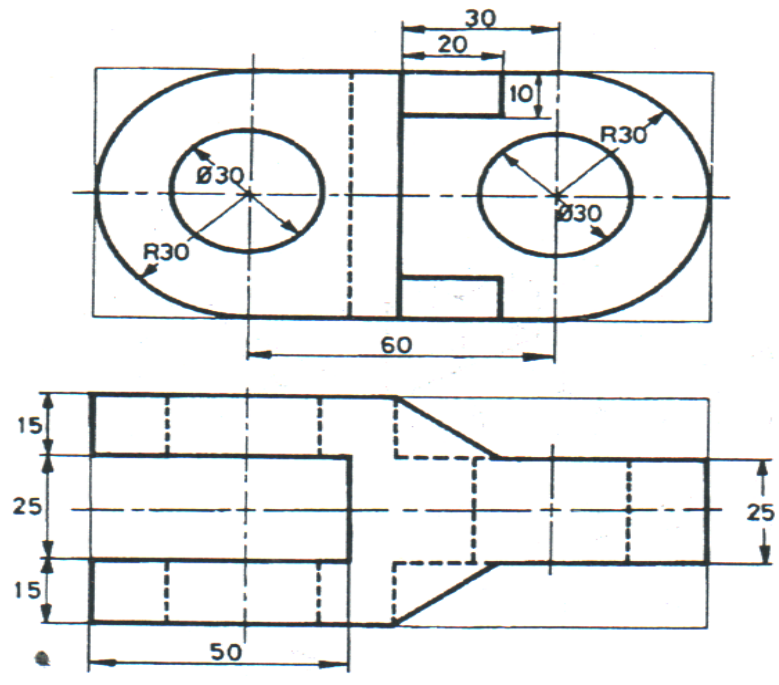


Figure :-2

\*\*\*\*\*